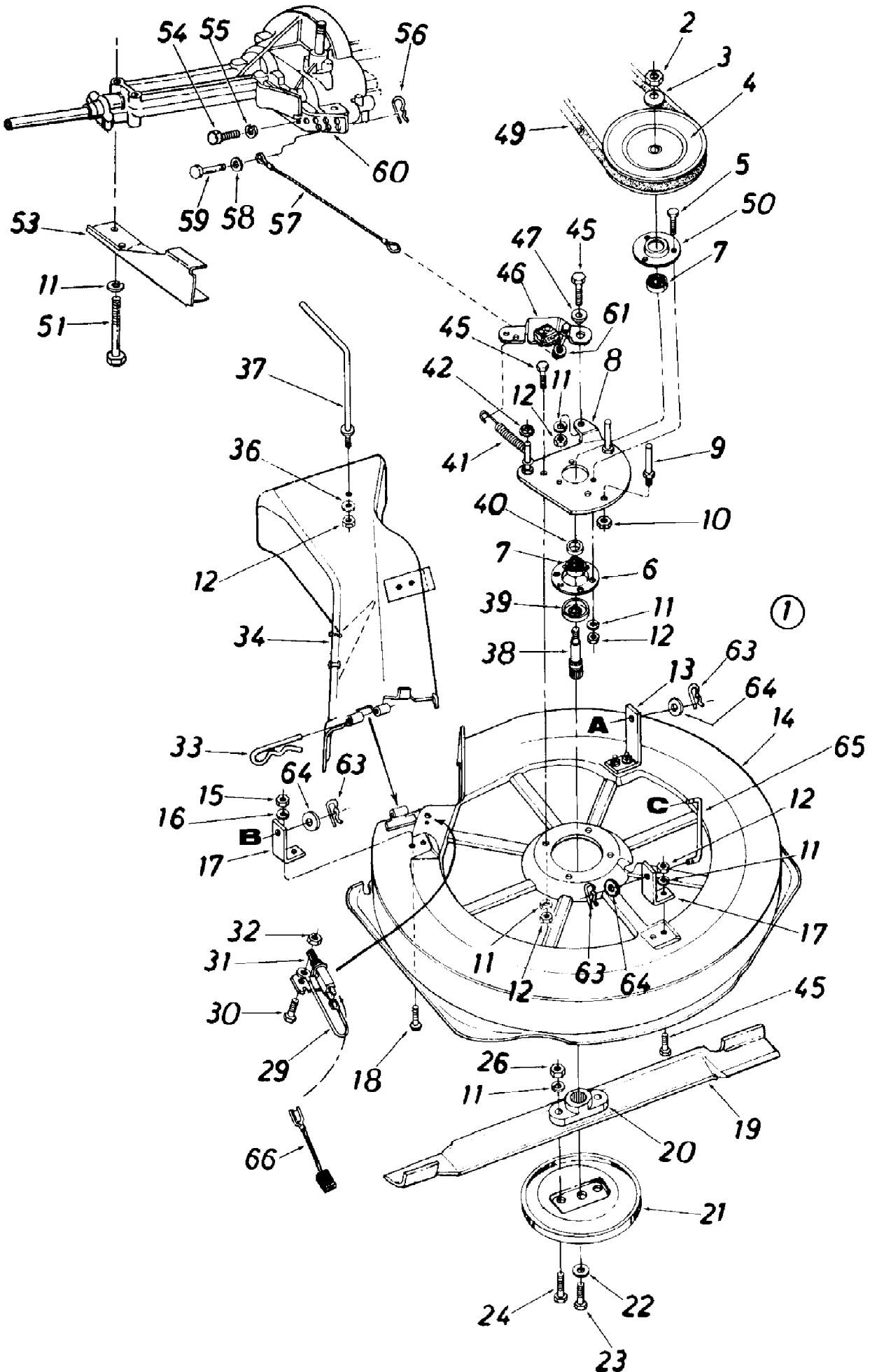


137-514-190 R-86 (1987)
30" Rear Discharge Mowing Deck Assembly



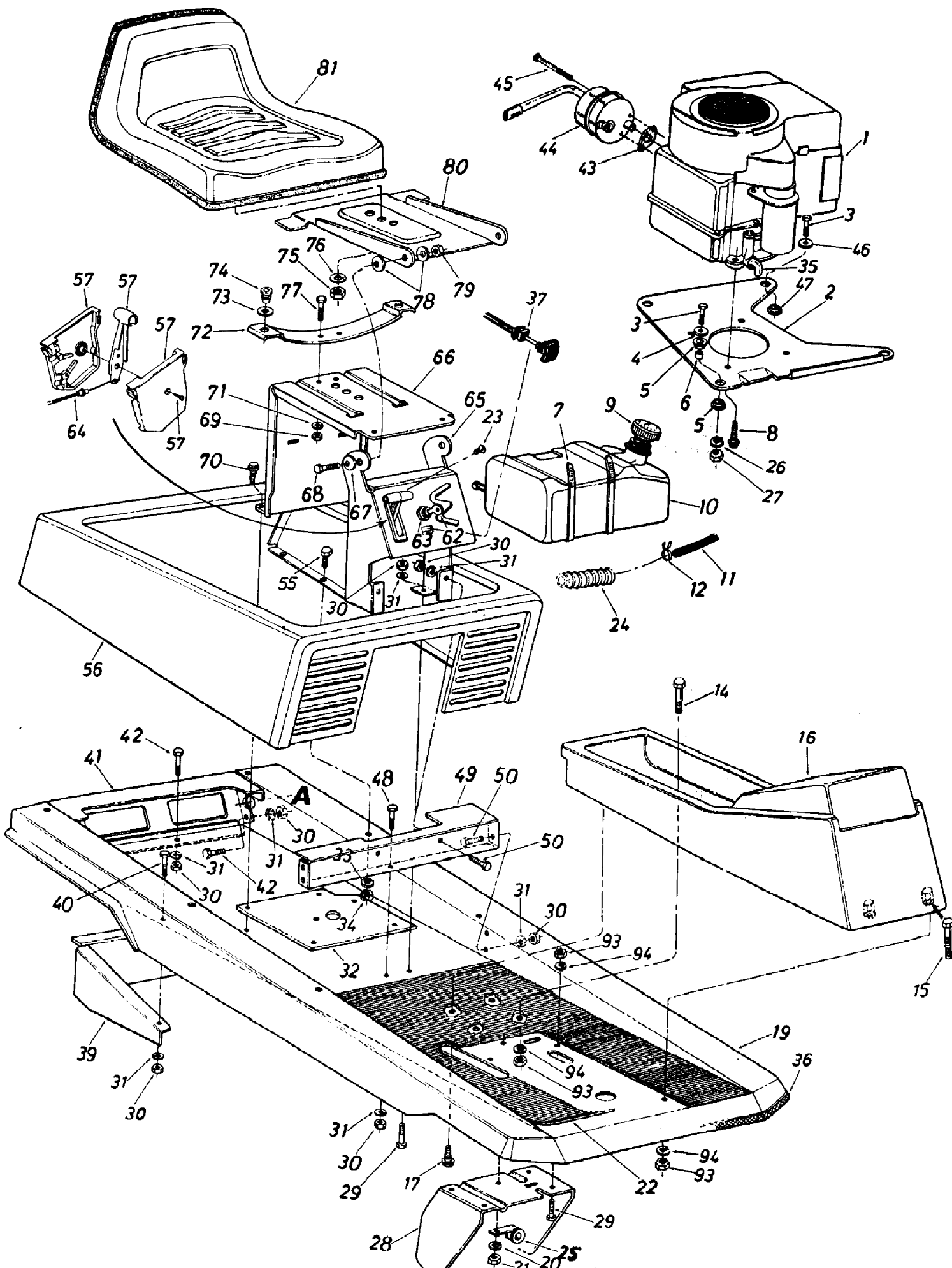
137-514-190 R-86 (1987)
30" Rear Discharge Mowing Deck Assembly

Page 2 of 19

Ref #	Part Number	Qty	S/P/F	Description
1	15900	1		30" R.D. Deck Ass'y. Comp. (Service Only)
2	712-0318	1	/P	Hex Jam Nut 5/8-18 Thd.
3	736-0317	1	/P	Bell-Wash. .630" I.D. x 1.25"
4	756-0430	1		5/8 V-Pulley .75" I.D. x .7"
5	710-0259	1	/P	Hex Sems 5/16-18 x .62" Lg.
6	08253	1	S	Brg. Housing 1.85" I.D.
7	741-0919	1	S	Ball Brg. .787" I.D.
8	15919	1		Spindle Mtg. Plate
9	711-0640	1	S	Stud 3/8-16 x 2.75" Lg.
10	712-0342	1	/P	Hex Jam Nut 3/8-16 Thd.
11	736-0119	1	S	L-Wash. 5/16" I.D.
12	712-0158	1	S	Hex L-Nut 5/16-18 Thd.
13	15916	1		Hanger Brkt. 2.92"
14	15906	1		30" R.D. Deck Ass'y.
15		1		UNKNOWN
16		1		UNKNOWN
17	15915	1		Hanger Brkt. 1.92"
18	710-0323	1	/P	Truss Mach. Scr. 5/16-18 x .75" Lg.
19	742-0280	1		30" High Lift Blade
20	748-0300	1		Blade Adapter
21	07919	1	S	Scalp Plate (Optional)
22	736-0169	1	S	L-Wash. 318" I.D.
23	710-0152	1	S	Hex Bolt 3/8-24 x 1.0
24	710-0888	1	/P	Hex Bolt 5/16-24 x 1.0" Lg.
26	712-0123	1	/P	Hex Nut 5/16-24 Thd.
29	725-0765	1		Electrical Wire
30	710-0289	1	S	Hex Bolt 1/4-20 x .50" Lg.
31	725-0269	1	S	Safety Switch
32	712-0287	1	S	Hex Nut 1/4-20 Thd.
33	714-0174	1	/P	Internal Cotter Pin
34	731-0715	1	S	R.D. Chute Deflector
36	736-0271	1	S	L-Wash. .32" I.D. x .62" O.D.
37	747-0474	1		90° Rod 5/16-18 Thd.
38	738-0577	1		Blade Spindle 5.20
39	13703	1		Bearing Shield
40	750-0456	1	S	Spacer
41	732-0157	1		Extension Spring
42	726-0201	1		Push Speed Nut
45	710-0118	1	S	Hex Bolt 5/16-18 X .75"
46	16053	1	S	Blade Brake Brkt. Ass'y.
47	748-0234	1	/P	Shoulder Spacer .500" Dia.
49	754-0264	1	S	'V' '-Belt 1/2 " x 52 Lg.
50	15296	1	S	Open Brg. Housing
51	710-0176	1	/P	Hex Bolt 5/16-18 X 2.75
53	15625	1		Lower Outside Belt Guard
54	710-0258	1	S	Hex Bolt 1/4-20 X .62 Lg.
55	736-0329	1	S	L-Wash. 1/4" I.D.
56	714-0104	1	S	Int. Cot. Pin 5/16" Dia.
57	727-0290	1	S	Brake Cable 11.75" Lg.
58	736-0142	1	S	FI-Wash. .281" I.D. x .50
59	711-0701	1	S	Clevis Pin 1/4" Dia.
60	15626	1	S	Lower Inside Belt Guard
61	726-0106	1		Pin 1/4" Rod

137-514-190 R-86 (1987)
30" Rear Discharge Mowing Deck Assembly

Ref #	Part Number	Qty	S/P/F	Description
63	714-0145	1	S	Int. Cotter Pin 1/2 Dia.
64	736-0160	1	S	Fl-Wash. .531" I.D. x .930"
65	747-0428	1		Deck Link 3.9" Lg.
66	725-1037	1		Wire Lead



137-514-190 R-86 (1987)
Body Assembly

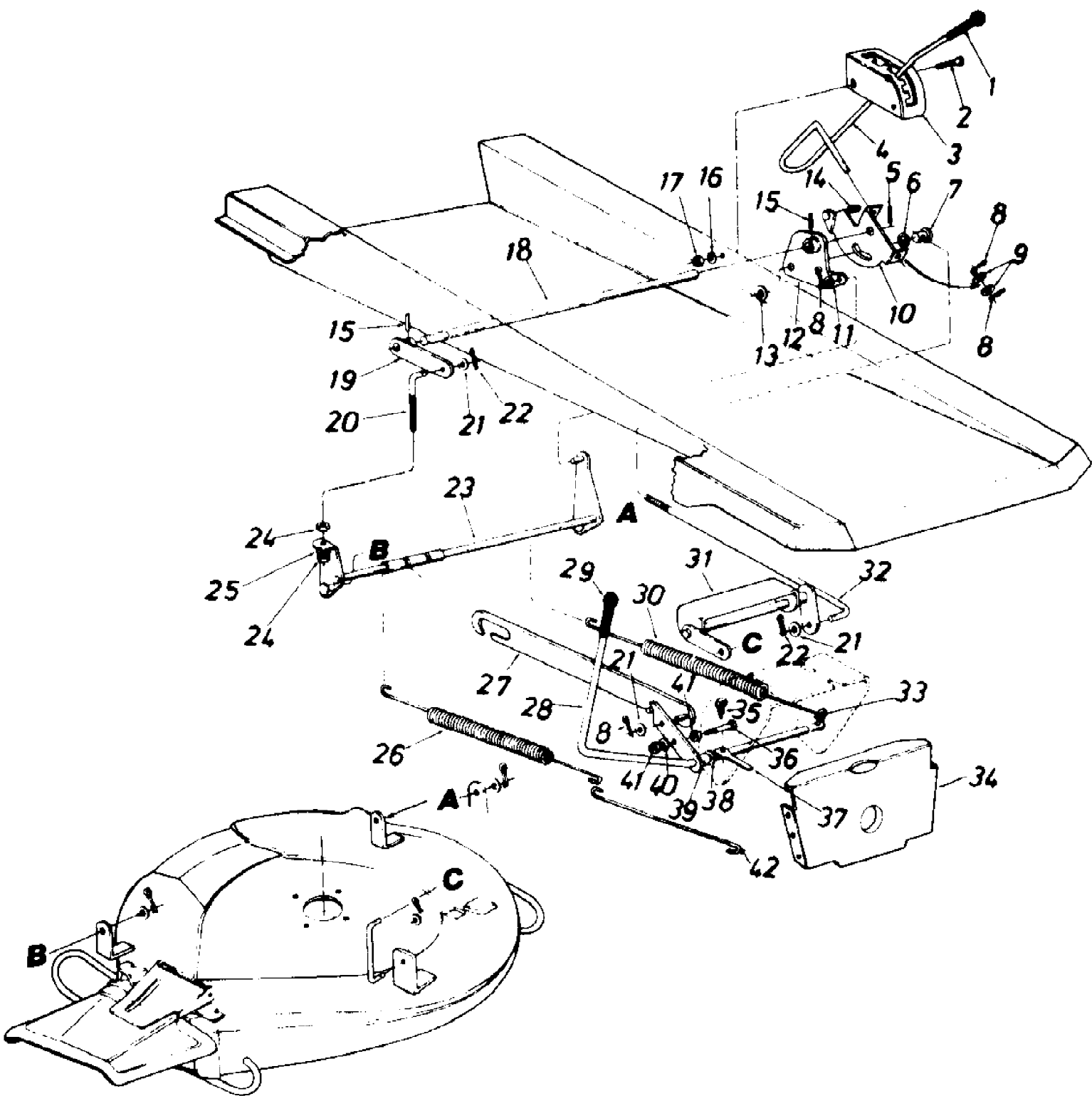
Page 5 of 19

Ref #	Part Number	Qty	S/P/F	Description
1		1		Engine
2	15572	1	S	Engine Mounting Plate
3	710-0158	1	S	Hex Bolt 5/16-24 x 1.25" Lg.
4	736-0231	1	S	FI-Wash. .330" I.D. x 1.125" O.D.
5	722-0153	1	S	Engine Mounting Grommet
6	750-0539	1	S	Spacer .315" I.D. x .50" O.D. x .520" Lg.
7	726-0209	1	/P	Cable Tie 30.6 Lg.
8	710-0502	1	S	Hex Wash. Hd. Self-Tap Scr. 3/8-16 x 1.25" Lg.
9	723-0155	1		Gas Gauge
10	751-0368	1	S	Fuel Tank
11	751-0173	1	S	Gas Line
12	726-0207	1		Hose Clamp-.406" Dia.
14	710-0380	1	S	Hex Bolt 5/16-18 x 1.75" Lg.
15	710-0116	1	S	Hex Bolt 5/16-18 x 2.0" Lg.
16	731-0712	1		Front Console
17	710-0906	1	S	Plastite Scr. 5/8 x 1.25"
19	15978	1		Main Frame
20	736-0119	1	S	L-Wash. 5/16" I.D.*
21	712-0267	1	S	Hex Nut 5/16-18 Thd.
22	735-0220	1		Floor Mat
23	710-0779	1	S	Truss Mach. AB-Tap Scr. #10 x .50" Lg.
24	731-0757	1		Convuluted Conduit
25	726-0175	1	/P	Clamp
26	736-0119	1	S	L-Wash. 5/16" I.D.
27	712-0123	1	/P	Hex Nut 5/16-24 Thd.
28	15562	1		Clutch-Brake Pedal Ass'y.
29	710-0118	1	S	Hex Bolt 5/16-18 x .75" Lg
30	712-0267	1	S	Hex Nut 5/16-18 Thd.
31	736-0119	1	S	L-Wash. 5/16" I.D.
32	15588	1		Mounting Brkt. Variable Speed Pulley
33	736-0329	1	S	L-Wash. 1/4" I.D.
34	712-0287	1	S	Hex Nut 1/4-20 Thd.
35	737-0125	1		90ø Elbow Male To Female
36	731-0511	1	/P	Trim Strip 18" Lg.
37	746-0614	1	S	Choke Control
39	15553	1		Transaxle Support Ass'y.
40	710-0118	1	S	Hex Bolt 5/16-18 x .75" Lg.*
41	15571	1		Rear Frame Panel
42	710-0621	1	S	Hex Bolt 5/16-18 x .50" Lg.*
43	721-0207	1	S	Exhaust Gasket
44	751-0412	1		Muffler Ass'y.
	751-0425	1	S	Spark Arrester For 8 H.P. Muffler
45	738-0635	1	S	Shld. Bolt
46	736-0343	1	/P	FI-Wash. .330" I.D. x 1.25" O.D.
47	736-0392	1		Flange Wash. .320" I.D. x .750" O.D.
48		1		UNKNOWN
49	15604	1		Seat Support & Frame Brkt.
50	710-0118	1	S	Hex Bolt 5/16-18 x .75" Lg.*
55	710-0289	1	S	Hex Bolt 1/4-20 X .50" Lg.*
56	15975	1		Engine Cover Ass'y.
57	831-0823	1	S	Throttle Control Box Ass'y.

137-514-190 R-86 (1987)
Body Assembly

Page 6 of 19

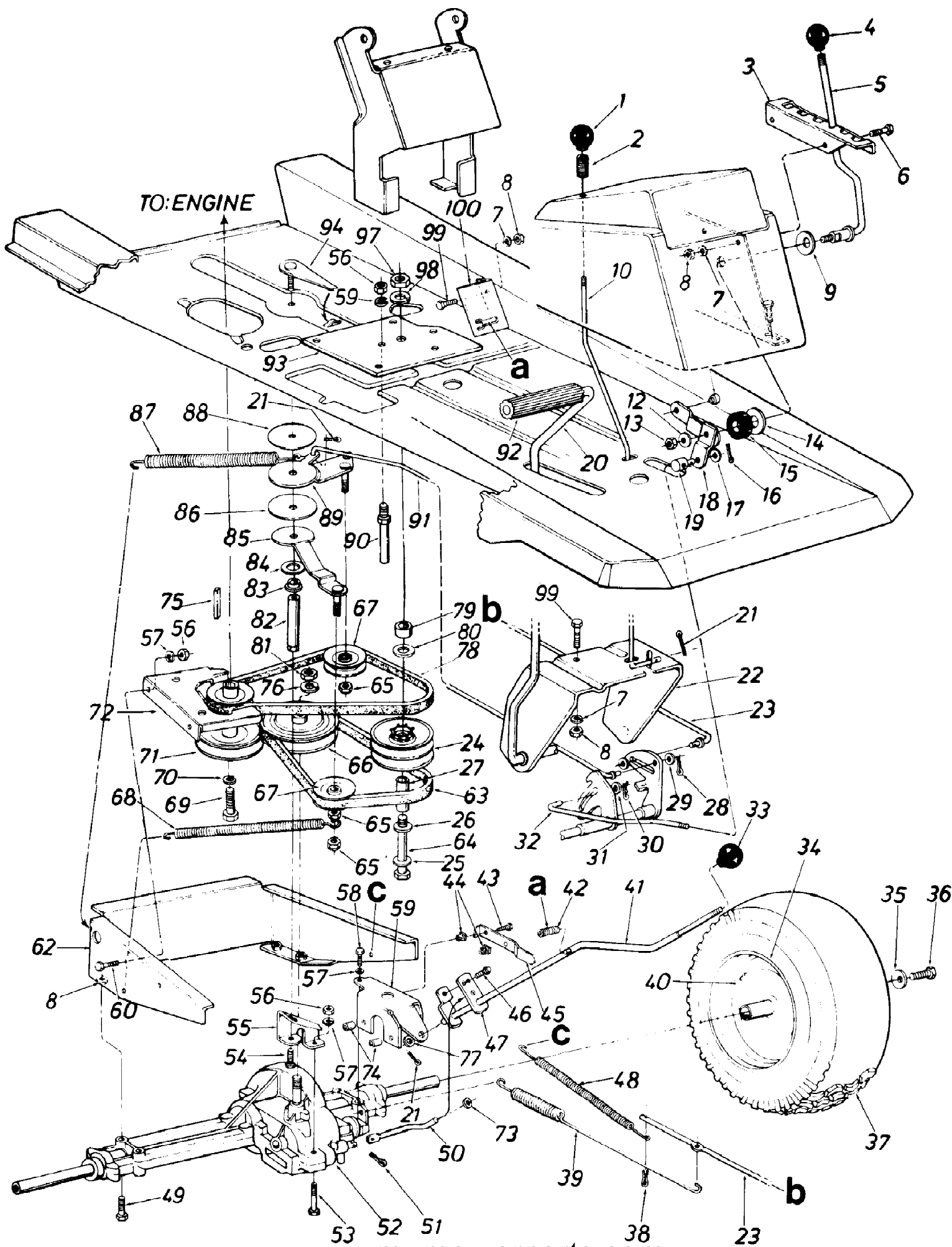
Ref #	Part Number	Qty	S/P/F	Description
62	725-0201	1	S	Ignition Key
63	725-0267	1	S	Ignition Switch
64	746-0503	1	S	Throttle Control Wire
65	16483	1		Front Seat Bracket
66	15606	1		Rear Seat Bracket
67	736-0242	1	/P	Bell-Wash. .345" I.D. x .88" O.D.
68	710-0118	1	S	Hex Bolt 5/16-18 x .75" Lg.*
69	712-0267	1	S	Hex Nut 5/16-18 Thd.*
70	710-0601	1	S	Hex Self-Tap Scr. 5/16-18 x .75" Lg.
71	736-0329	1	S	L-Wash. 1/4" I.D.*
72	732-0431	1		Seat Spring
73	736-0160	1	S	FI-Wash. .531" I.D. x .930" O.D.
74	731-0555	1	S	Grommet
75	712-0206	1	S	Hex Nut 1/2-13 Thd.*
76	736-0921	1	S	L-Wash. 1/2" I.D.*
77	710-0118	1	S	Hex Bolt 1/4-20 X .75" Lg.*
78	736-0242	1	/P	Bell-Wash. .345" I.D. x .88" O.D.
79	712-0158	1	S	Hex Cent. L-Nut 5/16-18 Thd.
80	15607	1	S	Seat Pivot Bracket
81	757-0264	1	/P	Seat Ass'y. Comp.
93	712-0267	1	S	Hex Nut 5/16-18 Thd.*
94	736-0119	1	S	L-Wash. 5/16" I.D.*



137-514-190 R-86 (1987)
Deck Mounting Assembly

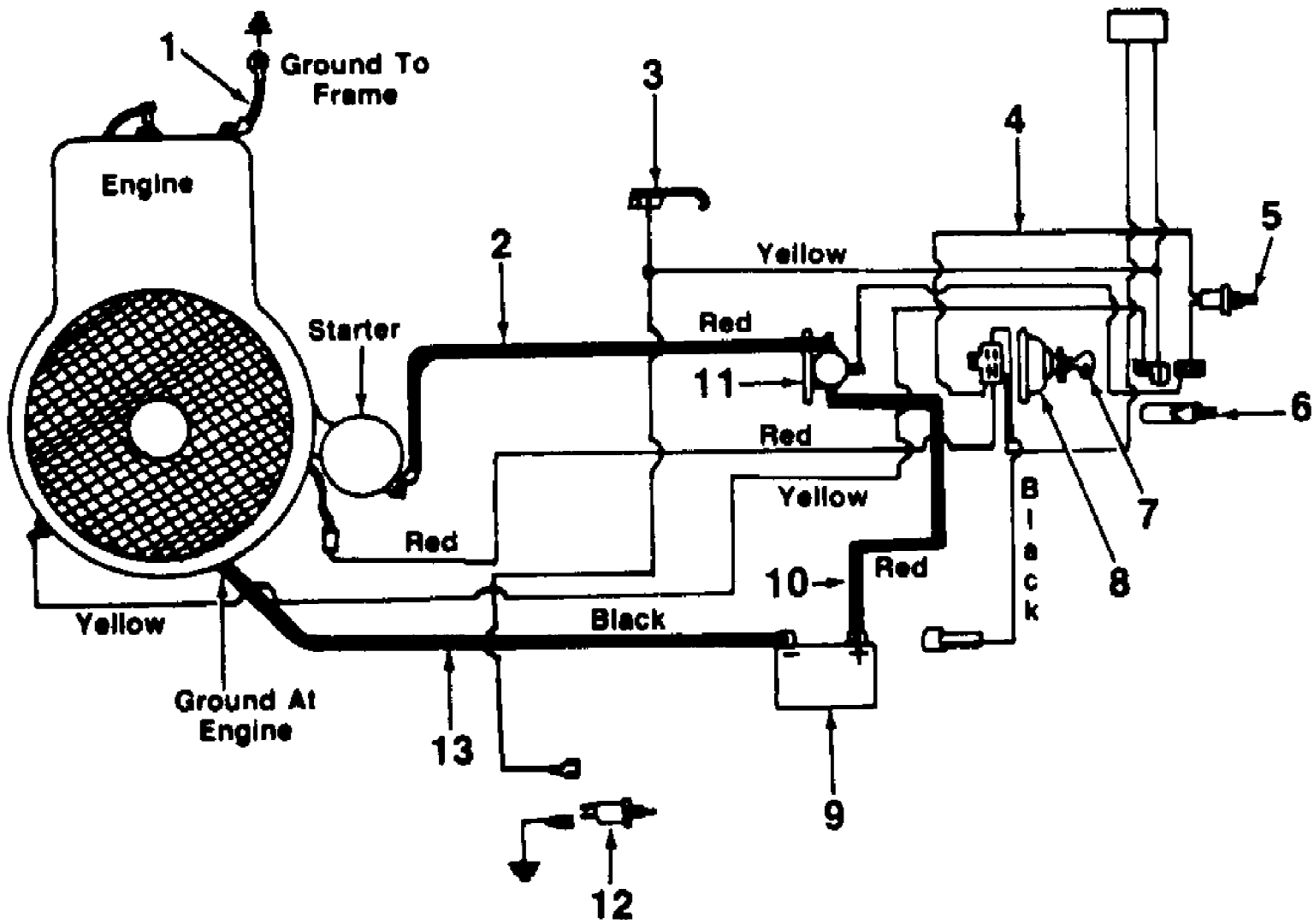
Page 8 of 19

Ref #	Part Number	Qty	S/P/F	Description
1	720-0143	1		Grip
2	710-0323	1	/P	Truss Mach. Scr. 5/16-18 x .75" Lg.
3	16397	1		Deck Index Bracket
4	747-0651	1		Deck Lift Handle
5	715-0134	1	S	Spring Pin Spir. 3116" Dia. x 1.50" Lg.
6	736-0187	1	/P	FI-Wash. .385" I.D. x .87" O.D.
7	711-0749	1		Adj. Ferrule Deck Lift Handle
8	714-0115	1	S	Cotter Pin 118" Dia. x 1.00" Lg.
9	736-0160	1	S	FI-Wash. .531" I.D. x .930" O.D.
10	16402	1		Deck Lift Handle Retainer Ass'y.
11	736-0300	1	S	FI-Wash. .385" I.D. x .87" O.D.
12	15578	1		Deck Lift Brkt. Ass'y.-L.H.
13	736-0162	1	/P	FI-Wash. .635" I.D. x 1.04" O.D.
14	732-0430	1		Compression Spring .50" Dia. x 1.0" Lg.
15	715-0114	1	S	Spring Pin Spir. 114" Dia. x 1.50" Lg.
16	736-0119	1	S	L-Wash. 5/16" I.D.
17	712-0267	1	S	Hex Nut 5/16-18 Thd.
18	738-0550	1		Rear Hgt. Adj. Shaft
19	15609	1		Deck Lift Brkt. Ass'y.-R.H.
20	710-0866	1		Deck Adj. Scr. 3/8-16 Thd.
21	736-0300	1	S	FI-Wash. .385" I.D. x .87" O.D.
22	714-0145	1	S	Intern. Cotter Pin 1/2" Dia.
23	15600	1		Deck Link Ass'y.-Rear
24	712-0798	1	/P	Hex Nut 3/8-16 Thd.
25	736-0169	1	S	L-Wash. 3/8" I.D.
26	732-0540	1		Extension Spring .73" O.D. x 13.84" Lg.
27	15644	1	S	Deck Drive Control Bracket
28	15568	1	S	Blade Engagement Lever Ass'y.
29	720-0143	1		Grip
30	732-0540	1		Extension Spring .73" O.D. x 13.89" Lg.
31	15573	1	S	Deck Lift Ass'y.-Front
32	747-0426	1		Deck Lift Connecting Rod
33	711-0753	1		Clevis Pin Special .250" Dia.
34	15613	1		Pivot Bar Bracket
35	710-0642	1	/P	Hex TT-Tap Scr. 1/4-20 x .75" Lg.
36	710-0805	1	/P	Hex Bolt 5/16-18 x 1.50" Lg. (Grade 5)
37	732-0435	1		Switch Actuator
38	736-0160	1	S	FI-Wash. .531" I.D. x .930" O.D.
39	750-0515	1		Spacer .511" I.D. x .70" O.D. x.38" Lg.
40	736-0119	1	S	L-Wash. 5/16" I.D.*
41	712-0267	1	S	Hex Nut 5/16-18 Thd.
42	732-0451	1	S	Spring Hook



Ref #	Part Number	Qty	S/P/F	Description
1	720-0187	1		Ball Knob 1/4-20 Thd. 1.25"
2	732-0437	1		Compression Spring
3	16389	1	S	Speed Index Bracket
4	720-0165	1	S	Ball Knob
5	747-0652	1		Speed Control Lever
6	710-0323	1	/P	Truss Mach. Scr. 5/16-18 x .75" Lg.
7	736-0119	1	S	L-Wash. 5/16" I.D.
8	712-0267	1	S	Hex Nut 5/16-18 Thd.
9	736-0253	1	S	Bell-Wash. .345" I.D. x .88"
10	747-0450	1		Brake Locking Rod
	731-0493	1		Cap
12	736-0242	1	/P	Bell-Wash. .345" I.D. x .08"
13	712-0158	1	S	Hex Cent. L-Nut 5/16-18 Thd.
14	736-0154	1		FI-Wash. .50" I.D. x 1.5" O.D.
15	735-0129	1		Rubber Washer
16	714-0145	1	S	Intern. Cotter Pin 1/2" Dia.
17	736-0275	1	S	FI-Wash. 34n I.D. x .68" O.D.
18	16396	1		Speed Control Lever Brkt. Ass'y.
19	711-0677	1	S	Ferrule-Engagement
20	15562	1		Clutch/Brake Pedal Ass'y.
21	714-0507	1	S	Cotter Pin 3/32" Dia. x 75"
22	15562	1		Clutch/Brake Pedal Ass'y.
23	747-0431	1		Brake Rod
24	717-0884	1		Variable Speed Pulley Ass'y.
25	736-0247	1	/P	Washer .635" I.D. x 3.50" O.D.
26	741-0405	1	S	Thrust Brg. 1.25" O.D. x .56" I.D.
27	750-0705	1		Spacer Sleeve 2.71"
28	714-0115	1	S	Cotter Pin 1/8" Dia. x 1.25"
29	736-0275	1	S	FI-Wash. .34" I.D. x .60" O.D.
30	714-0104	1	S	Intern. Cot-Pin 5/16" Dia.
31	736-0275	1	S	FI-Wash. .34" I.D. x .60" O.D.
32	747-0451	1		Speed Control Rod
33	720-0165	1	S	Ball Knob
34	734-0594	1	S	Rear Wheel Rim Only
35	736-0242	1	/P	Bell-Wash. .345" I.D. x .88"
36	710-0627	1	/P	Hex L-Bolt 5/16-24 x .75" Lg.
37	734-0591	1	/P	Rear Wheel Ass'y.-Comp.
	734-0275	1	/P	Tire Only
38	714-0470	1	S	Cotter Pin 1/8" Dia. x 1.25"
39	732-0389	1		Extension Spring 17.0" Lg.
40	734-0255	1	S	Air Valve
41	16475	1		Shift Lever Ass'y.
42	732-0499	1		Compression Spring 1.50" Lg.
43	710-0789	1		C Sink AB S-Tap Scr. #8 x 50n Lg
44	726-0206	1		Push-in Nut #10
45	732-0420	1		Spring Switch
46	710-0289	1	S	Hex Bolt 1/4-20 x .50" Lg.
47	16476	1		Shift Lever Adjusting Link
48	732-0487	1		Ext. Spring 81/4" Lg.
49	710-0378	1	/P	3/16-18 x 2.50 Hex Bolt
50	747-0668	1		Shift Rod
51	714-0149	1	S	Intern. Cotter Pin
52	717-0775	1		(See Breakdown)

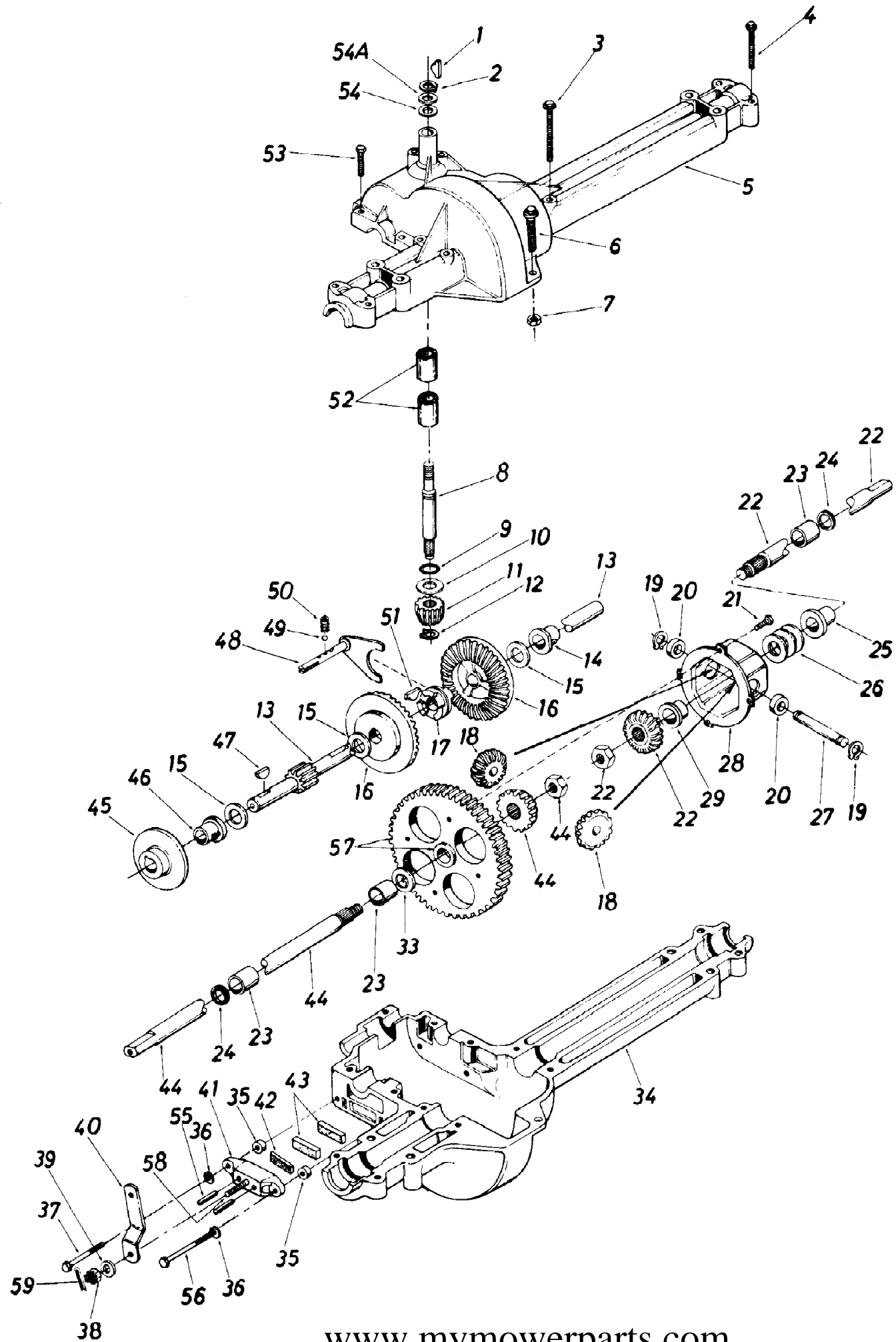
Ref #	Part Number	Qty	S/P/F	Description
53	710-0136	1	/P	Hex Bolt 1/4-20 x 1.75" Lg.
54	710-0180	1	/P	Hex Bolt 3/8-24 x .75" Lg.
55	15564	1	S	Torque Rod Bracket
56	712-0287	1	S	Hex Nut 1/4-20 Thd.
57	736-0329	1	S	L-Wash. 1/4" I.D.
58	710-0965	1		Self-Tap Mach. Scr. Type "C" 1/4-20 x 1.37" Lg.
59	16478	1		Shift Lever Support Brkt.
60	710-0597	1	/P	Hex Bolt 1/4-20 x 1.00n Lg.
62	15553	1		Transaxle Support Ass'y.
63	754-0240	1	S	V-Belt
64	710-0693	1	/P	Hex Bolt 3/8-16 x 4.5" Lg.
65	712-0116	1	S	Hex Ins. L-Nut 3/8-24 Thd.
66	756-0390	1		5/8 V-Pulley .500" I.D. x 6"
67	756-0116	1	S	V-Belt Idler .38" I.D. x 3.06"
68	732-0308	1	S	Ext. Spring .50" O.D. x 6.37"
69	710-0314	1	/P	Hex Bolt 7/16-20 x 1.00n Lg.
70	736-0171	1	S	L-Wash. 7/16" I.D.
71	756-0391	1		Engine Pulley .500" O.D. & 3.56" O.D.
72	15623	1	S	Upper Eng. Belt Guard
73		1		UNKNOWN
74	750-0686	1		Spacer .256" I.D. x .5" O.D.>
75	714-0114	1	S	Sq.-Key 1/4" x 2.00n Lg.
76	736-0921	1	S	L-Wash. 1/2" I.D.
77	736-0226	1	S	FI-Wash. .469" I.D. x .88"
78	754-0241	1	S	V-Belt
79	750-0706	1	S	Spacer 1.00n x .380" O.D.
80	736-0414	1	S	Teflon Washer .565 I.D. x .12 O.D.
81	712-0922	1	/P	Hex Nut 1/2-20 Thd.
82	711-0676	1		Torque Rod
83	748-0294	1		Flange Bearing .378
84	736-0187	1	/P	FI-Wash. .640" I.D. x 1.24"
85	15569	1	S	Idler Bracket Ass'y.
86	736-0283	1		Thrust Wash. .635" I.D.
87	732-0436	1	S	Extension Spring 7.58n Lg.
88	736-0284	1	S	Thrust Wash. .385" I.D.
89	15585	1		Idler Bracket Ass'y. For Clutch
90	711-0747	1	S	Belt Guard Pin 1/4" Dia.
91	747-0422	1		Clutch Rod
92	735-0196	1	S	Foot Pad
93	17100	1		Mtg. Brkt. Variable Pulley
94	15642	1		Weld Bolt Brkt. Ass'y.
97	712-0798	1	/P	Hex Nut 3/8-16
98	736-0217	1	S	L-Wash. 3/8 Heavy Duty
99	710-0118	1	S	Hex Bolt 5/16-18 x .75" Lg.
100	16482	1		Shift Lever Spring Brkt.



137-514-190 R-86 (1987)
Electrical System

Page 13 of 19

Ref #	Part Number	Qty	S/P/F	Description
1	725-0977	1	S	Elec. Wire 8 Ga. x 9.0" Lg.
2	725-0424	1	S	Elec. Wire
3	732-0420	1		Spring Switch-Reverse
4	725-1143	1		Wire Harness
5	725-0268	1	S	Safety Switch-Black N.O.
6	725-0819	1	S	Safety Switch
7	725-0201	1	S	Ignition Key
8	725-0267	1	S	Ignition Switch
9	725-0514	1	S	Battery 12V
10	725-0927	1		Elec. Wire Red w/Boot
11	725-0771	1	S	Solenoid
12	725-0269	1	S	Safety Switch Red N.C.
13	725-0975	1		Elec. Wire 8 Ga. x 9.0" Lg.
	725-0765	1		Elec. Wire
	725-0977	1	S	Elect. Wire 11.5" Lg.



137-514-190 R-86 (1987)
Single Speed Transaxle Left Hand

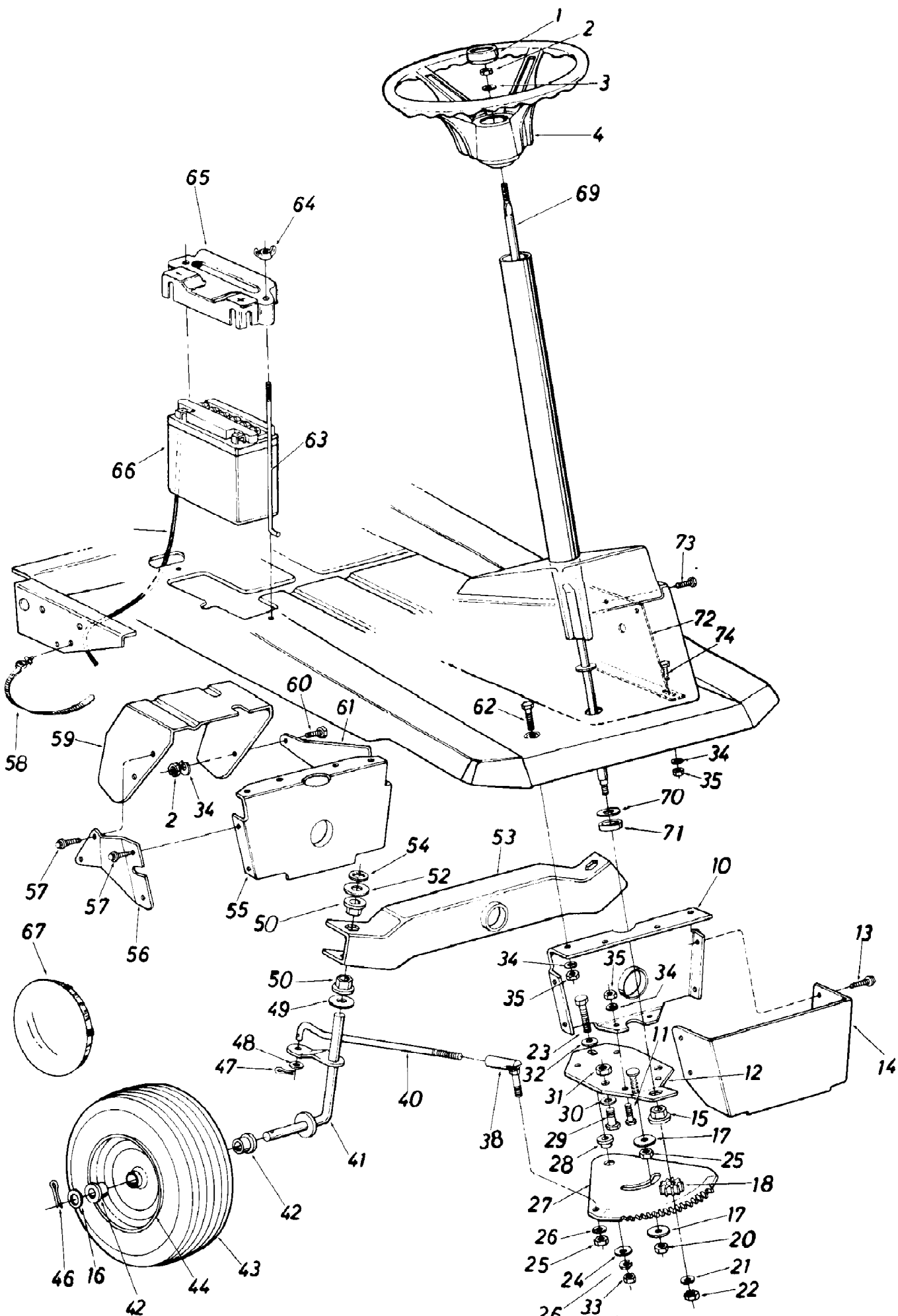
Page 15 of 19

Ref #	Part Number	Qty	S/P/F	Description
1	714-0129	1	S	#4 Hi-Pro Key 3/32 x 5/8" Dia.
2	716-0115	1	S	Snap Ring .625" Shaft
3	710-0854	1	S	Hex Bolt 1/4-20 x 1.75" Lg.
4	710-0378	1	/P	Hex Bolt 5/16-18 x 2.5"
5	717-0764	1	S	Upper Housing
6	710-0889	1		Hex FI-Bolt 1/4-20 x .88" Lg.
7	712-0287	1	S	Hex Nut 1/4-20 Thd.
8	717-0634	1	S	Input Shaft
9	721-0178	1	S	Square Seal 5/8" I.D.
10	736-0335	1	S	Thrust Washer 5/8" I.D. x 1.25" O.D.
11	717-0633	1	S	Pinion Input 14T
12	716-0108	1	S	Retaining Ring 7/16" Ext.
13	717-0768	1		Drive Shaft
14	741-0336	1	S	Flange Brg. 5/8" I.D. x 3/4" Lg.
15		1		FI-Wash.
	736-0349	1	S	FI-Wash. 5/8" I.D. x 1.0" O.D. x .020" Thk.
	736-0336	1	S	FI-Wash. 5/8" I.D. x 1.0" O.D. x .030" Thk.
	736-0337	1	S	FI-Wash. 5/8" I.D. x 1.0" O.D. x .040" Thk.
16	717-0757	1		Bevel Gear 42T
17	717-0667	1	S	Clutch Collar
18	717-1020	1	/P	Miter Gear 15T (H.D.)
19	716-0142	1	S	Snap Ring
20	717-0690	1	S	Thrust Bearing 1/2" I.D. x 1.0" O.D.
21	710-0862	1	S	Pan Head Scr. 1/4-20 x .50" Lg. w/Patch
22	717-0766	1	S	Axle R.H. Ass'y.-Kit
23	741-0340	1	S	Sleeve Bearing 3/4" I.D. x 1.0" Lg.
24	721-0179	1	S	Oil Seal 3/4" I.D.
25	741-0339	1	S	Flange Bearing 3/4" I.D. x 15/16" Lg.
26	736-0188	1	/P	FI-Wash. .760" I.D. x 1.49 0 O.D.
27	717-0673	1	S	Cross Shaft
28	717-0777	1	S	Differential Housing Ass'y.
29		1		Part of Ref. 28
33	736-0188	1	/P	FI-Wash. .760" I.D. x 1.49" O.D.
34	717-0761	1	S	Lower Housing
35	750-0555	1		Spacer .53" O.D. x 3/8" Lg.
36	736-0329	1	S	L-Wash. 1/4" I.D.
37	710-0886	1	S	Hex Bolt 1/4-20 x 1.50" Lg. (Grade 5)
38	712-0335	1	S	Castle Nut 5/16-24 Thd.
39	736-0159	1	S	FI-Wash. .344" I.D. x .875" O.D.
40	717-0772	1	S	Actuating Arm
41	717-0679	1		Brake Yoke
42	717-0682	1	S	Puck Plate
43	717-0678	1	S	Brake Puck
44	717-0765	1	S	Axle L.H. Ass'y.-Kit
45	717-0677	1	/P	Brake Disc
46	741-0337	1	S	Flange Bearing 5/8" I.D. x 15/16" Lg.
47	714-0161	1	S	Woodruff Key 3/16 x 5/8 HT
48	717-0754	1	S	Shift Fork Ass'y.
49	741-0862	1	/P	Ball Detent .250" Dia.
50	732-0863	1	S	Spring Detent
51	714-0169	1	S	#9 Hi-Pro Key 3/16" x 3/4n Dia. HT
52	741-0335	1	S	Needle Brg. 5/8" I.D. x 1/2" Lg.
53	710-0855	1		Ball Detent .250" Dia. x 1.00" Lg.

137-514-190 R-86 (1987)
Single Speed Transaxle Left Hand

Page 16 of 19

Ref #	Part Number	Qty	S/P/F	Description
54	736-0336	1	S	FI-Wash. 5/8" I.D. x .030
54A	736-0337	1	S	FI-Wash . 5/8" I . D . x .040
55	741-0343	1	S	Actuating Pin 5/16" Dia.
56	710-0966	1		Hex Bolt 1/4-20 x 2.50" Lg. (Grade 5)
57	717-0767	1	S	Differential Gear 72T Ass'y. w/Bearing
58	717-0681	1	S	Sq. Hd. Bolt 5/16-24 Thd.
59	1544-013	1	S	Cotter Pin 3/32" Dia. x .50" Lg.
	737-0148	1	S	Grease-Shell (10 oz.)



137-514-190 R-86 (1987)
Steering Assembly

Page 18 of 19

Ref #	Part Number	Qty	S/P/F	Description
1	731-0220	1	S	Steering Wheel Cap
2	712-0237	1	S	Hex Nut 5/16-24 Thd.
3	736-0242	1	/P	Bell-Wash. .345" I.D. x .88" O.D.
4	731-0805	1	S	Steering Wheel Ass'y.
10	15613	1		Pivot Bar Bracket
11	710-0118	1	S	Hex Bolt 5/16-18 x .75" Lg.*
12	17130	1		Steering Gear Support Brkt.
13	710-0776	1	S	Hex Wash. Hd. AB-Tap Scr. 1/4 x .62" Lg.
14	15608	1		Steering Gear Cover
15	741-0225	1	S	Hex Flange Bearing
16	736-0285	1	/P	FI-Wash. .640" I.D. x 1.62" O.D.
17	736-0320	1	/P	FI-Washer 3/8" I.D. x 1.37" O.D.
18	748-0290	1	S	Steering Pinion Gear
	736-0320	1	/P	FI-Wash. .385" I.D. x 1.38"
20	712-0116	1	S	Hex L-Nut 3/8-24
21	736-0275	1	S	FI-Wash. .34" I.D. x .68" O.D.
22	712-0123	1	/P	Hex Nut 5/16-24 Thd.*
23	710-0191	1	/P	Hex Bolt 3/8-24 x 1.25" Lg. (Grade 5)
24	736-0320	1	/P	FI-Wash. .385" I.D. x 1.38"
25	712-0241	1	/P	Hex Nut 3/8-24 Thd.*
26	736-0169	1	S	L-Wash. 3/8" I.D.*
27	717-0472	1	S	Steering Gear Segment
28	738-0541	1	S	Shoulder Spacer .622" Dia. x .218
29	710-0689	1	/P	Hex Bolt (Nylon) 1/2-13 x .75"
30	736-0160	1	S	FI-Wash. .530" I.D. x .930"
31	712-0206	1	S	Hex Nut 1/2-13 Thd.*
32	736-0105	1	/P	Bell-Wash. .385" I.D. x .88"
33	712-0241	1	/P	Hex Nut 3/8-24 Thd.*
34	736-0119	1	S	L-Wash. 5/16" I.D.*
35	712-0267	1	S	Hex Nut 5/16-18 Thd.*
38	723-0156	1	S	Ball Joint Ass'y. 3/8-24 Thd.
40	747-0417	1	S	Steering Tie Rod
41	15616	1	S	Front Axle Ass'y.-R.H.
	15617	1	S	Front Axle Ass'y.-L.H. (Not Shown)
42	741-0487	1	S	Flange Bearing .632" I.D.
43		1		Front Wheel Ass'y. Comp.
	734-1454	1	S	Wheel Ass'y. Comp. (11 x 4.0)
44		1		Front Wheel Rim Only
	734-1455	1		Rim Only (11 x 4.0)
46	714-0470	1	S	Cotter Pin 1/8" Dia. x 1.25"
47	714-0115	1	S	Cotter Pin 1/8" Dia. x 1.00"
48	736-0300	1	S	FI-Wash. .385" I.D. x .87"
49	736-0156	1	/P	FI-Wash. .635" I.D. x 1.12"
50	741-0225	1	S	Hex Flange Bearing
52	736-0156	1	/P	FI-Wash. .635" I.D. x 1.12
53	15610	1	S	Pivot Bar Ass'y.
54	726-0159	1	S	Speed Nut 5/8" I.D.
55	15613	1		Pivot Bar Bracket
56	15694	1		Bracket Reinforcement- 0 R. H.
57	710-0776	1	S	Hex Wash. Hd. AB-Tap Scr. 1/4 x .62" Lg.
58	726-0154	1	S	Cable Tie
59	15562	1		Clutch-Brake Pedal Ass'y.
60	710-0118	1	S	Hex Bolt 5/16-18 x .75" Lg.

137-514-190 R-86 (1987)
Steering Assembly

Page 19 of 19

Ref #	Part Number	Qty	S/P/F	Description
61	15699	1		Bracket Reinforcement-L.H.
62	710-0118	1	S	Hex Bolt 5/16-18 x .75" Lg.
63	711-0222	1	S	Battery Hold Down Rod
64	712-0113	1	S	Wing Nut Solid 1/4-20 Thd.
65	731-0708	1		Battery Hold Down Cover
66	725-0514	1	S	12V Battery
67	734-1219	1		Chrome Hub Cap
69	16513	1		Steering Shaft Ass'y.
70	736-0187	1	/P	FI-Wash. .62" I.D. x 1.25" O.D.
71	750-0532	1	S	Spacer (Plastic)
72	16069	1		Reinf. Brkt. Ass'y.
73	710-0323	1	/P	Truss Mach. Scr. 5/16-18
74	710-0116	1	S	Hex Bolt 5/16-18 x 2.00" Lg.